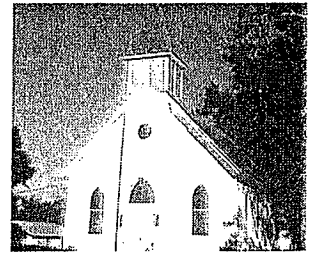


Views from The Hub and The Hill



*The Presbyterian Churches of
Crestview and Laurel Hill*



Volume 3, Issue 5

May 2010

Pastor's Pennings



Dear Friends,

This past month I had the privilege of attending two conferences. The first was a Smaller Church Conference put on by the Presbyteries of Florida, South Alabama, and Mississippi. The conference's purpose was to bring together church leaders who served churches of 150 or fewer members. The keynote speaker was Dr. E. Stanley Ott, an acquaintance of mine since 1992.

One key message for revitalizing churches is the level of involvement of church members. One of the unfortunate mindsets that can enter the psyche of a church is, "Well, now that we have a pastor, we can let him/her do all the work."

The smaller churches that revitalized were those who realized if the members of the church didn't do the work, their church would cease to exist. One example was a church in McIntosh, Florida that went from 6 members to 71 in five years. Led by a Commissioned Lay Pastor (who also had a

business to run), the members knew the CLP could not do everything. So they jumped in.

With the strength of God in their hearts, this church now has a vital and thriving ministry. Much food for thought!

The other conference I attended was put on by our denomination's Board of Pensions. This was an annual conference put on to inform Presbytery Executives, Chairs of Committees on Ministry (which is one hat I wear), and Chairs of Committees on Preparation for Ministry, so we can be equipped to help better inform our pastors of changes, options and benefits that are available to them.

I am not very smart when it comes to pensions and insurance matters, but this conference truly helped a lot. My brain did hurt a little bit since it was stretched in new ways. But I am truly grateful for the experience.

All of this to say that April was a busy month with much running around. Yet, it was a very

productive month with many lessons learned.

The month of June coming up will be a bit hectic as well. Our daughter, Carolyn, is to be married to Robbie Tarpley of Crestview. The wedding will be in Tallahassee on June 5th. You are invited to attend. Please contact Celia for details.

Also, our daughter, Laura, has been accepted into the pharmacy program at South University in Savannah, GA. She starts classes on June 9. The packing hasn't started yet, but as you can imagine it will soon.

I thank you for your prayer for my family and me in the weeks ahead. If I seem distracted or forgetful, I ask your indulgence. Two major events in life are in process. Yet through it all, God's grace abounds!

Sursum Corda

Laurel Hill Session

George (Woot) Campbell
652.4414

Bertie Ann Curenton
652.4162

Leon Curenton
682.8750

Mabel Jean Morrison
652.4519

McDonald Campbell, Clerk
652.4196



Get To Know Your Bible ~ Psalms

It is impossible to adequately summarize the richness contained in the book of Psalms. It was Israel's hymnal, containing hymns of praise to God for personal and national salvation, and contains the laments of God's people in difficult situations. It was Israel's prayer book. The psalmists looked to God in moments of private despair and times of national suffering. Amidst their difficulties, they found release by lifting their heartfelt laments and praises to God.

The psalms are for us, too. They are brimming with honest emotion. Through them we can pour out our anguish

and adoration, our suffering and confessions, our hopes and fears. Through some we may openly question God's actions or his apparent lack of action. Through others we might express our pain, heartache, and discouragement. Through still others we may praise God as he frees us from oppression and sin. Each psalm is an expression of the heart. None of them is a neat little package of answers tied up with a pretty bow. They are living documents, a collection of spiritual diaries from people who honestly sought God's gracious help.

We will find that the psalms may be read at many different

levels, depending on the problems we face. They may function as deterrents to keep us out of trouble, as guides to help us through our problems, as reminders of the one who actually delivers us, or as beacons of hope to encourage us in perplexing or painful situations. Through the psalms we share in the hopes and failures of the entire human race. Yet as we read them, we are also ushered into the very presence of our loving and merciful God.

Summer Kickoff

The Fellowship Ministry has planned a summer kick-off salad luncheon for May 15, immediately after church. Plan to attend and bring your favorite salad. It won't be necessary to bring any deserts. Desert will be provided and you can build your own banana split with all the trimmings, including homemade ice cream. Join us as we say welcome to summer.

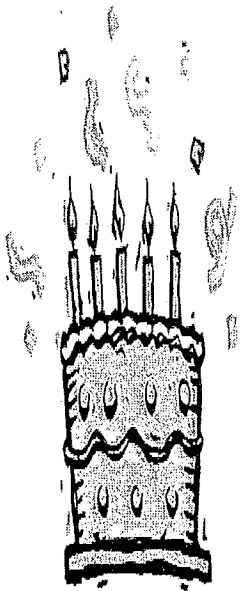
Youth Yard Sale

YOUTH YARD SALE, SATURDAY, MAY 14TH The Youth Group is hosting their 2nd Annual Yard Sale, Saturday, May 14th. Start cleaning out your closets and bring your unwanted donations to Fellowship hall. Or, you can purchase a table for \$20 to sell your own belongings. Contact Tammy Matthews for more information.

The Youth Group will also be hosting a fundraiser luncheon on May 24th. This will be the youth groups last fundraiser prior to their Montreat trip.

May Birthday's and Anniversaries

- 3 Dean & JoAn Williams
- 5 Robert Hanna
- 7 Rémy Kublik
- 12 Lola Becker
- 12 Ryan Campbell
- 12 Gaye Tucker
- 13 Wayne Campbell
- 19 Essie Dell Hurston
- 19 Gillis, Sr. & Avis Powell
- 20 20 Melissa Brown
- 22 Hettie Myers
- 22 Hannah King
- 22 Bill & Shirley Mundt
- 23 Patrick DeWitt
- 23 Kay Miller
- 30 Sean & Mandy Miller
- 31 Tiffany Mizak
- 31 Jimmy Barlow



Crestview Session

Bobby Barton - Personnel
682.9709

Tim Crawford - Clerk
651.8029

Ed Kitchen - Finance
682.0753

Dianne Love - Fellowship
682.3510

Tammy Matthews - Worship
537.7783

Pat McCreary
398.5953

Tom Miller - Property
682.4886

Ruth Santiago - Stewardship
682.8135

Richard Thalacker - Finance
682.3552

Crestview Deacons

Iris Miller
689.1896

Bill Mundt
537.9981

Sarah Myers
423.1202

Darla Perkins
682.5708

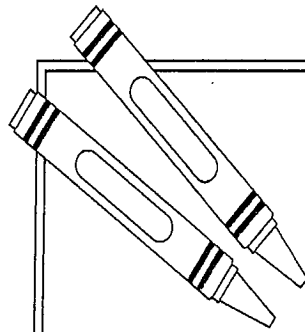
Jerry Williams
682.5471

Jo-An Williams
682-6781

WHEN MORNING COMES:

An unknown author has written:

“There are only two kinds of people in the world. There are those who wake up in the morning and say, ‘Good morning, Lord’; then there are those who wake up in the morning and say, ‘Good Lord, it’s morning.’”

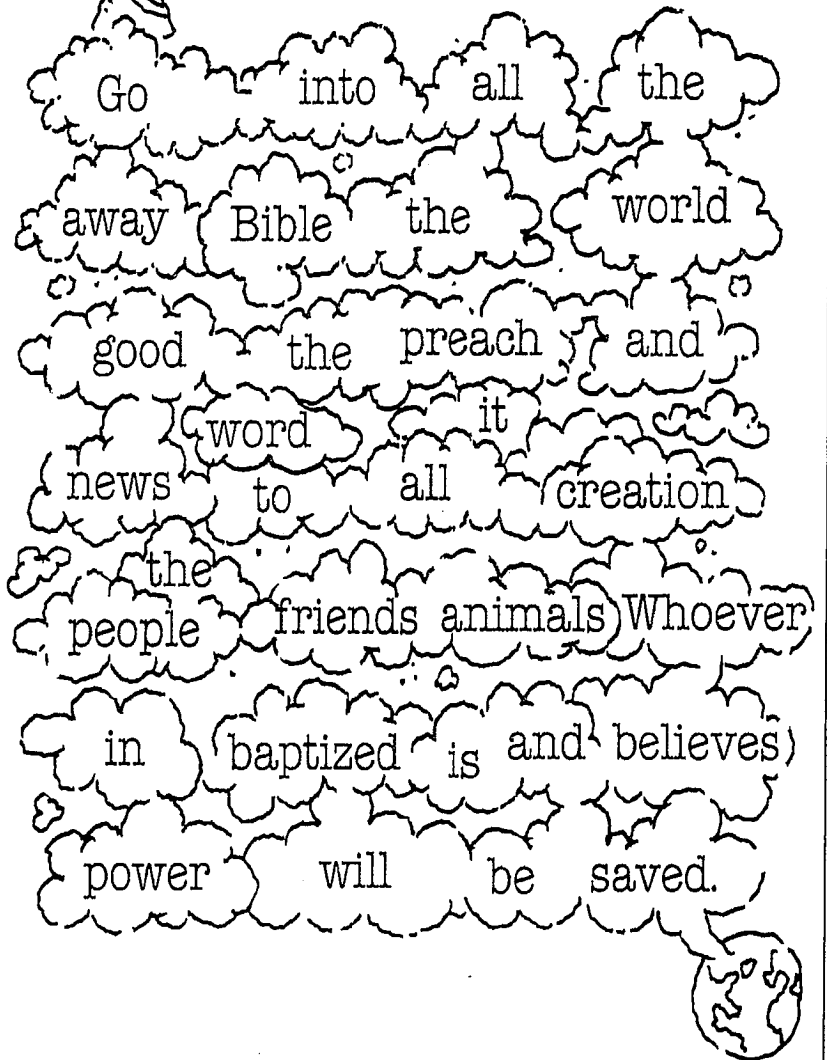


Just for **KIDS**

“I am with you always.”

Before Jesus ascended into heaven, he encouraged his disciples in the work they had to do. We, too, are Jesus’ disciples and should follow his same instructions.

Follow the words in the clouds to find Mark 16:15-16a, NIV.



People With Whom We Prayed For in April

- Ferrin Campbell, Sr.*
- Medford King*
- Ruth Graham*
- Avis & Gillis Powell*
- Ruth Kelley*
- Anke & Gerry*
- Barry Wood*
- Jarrold Blackburn*
- Lola Becker*
- Bobby Barton*
- Purl Adams, Jr.*
- Hattie Gilmore*
- Randy Becker*
- Norma Ritter*
- Family of Adele Gluth*
- Lillian Ankelein*
- Rogene Hasty*
- George Ankelein Jr.*
- Hannah Burlison*
- Ethel Williams*
- Exa Jordan*
- Bernice Weeks*
- Loree Conley*
- May Allan*
- Mary Brown*
- Carol Burns*
- John Loos*
- Faye May*

Answer: “Go into all the world and preach the good news to all creation. Whoever believes and is baptized will be saved.” (Mark 16:15-16a, NIV)

*The Presbyterian Churches of
Crestview and Laurel Hill*

8115 Fourth Street
PO Box 55
Laurel Hill, FL 32567
Laurel Hill Phone: 850.652.2164
E-Mail: Minister@fpc.gccoxmail.com

492 N. Ferdon Blvd
Crestview, FL 32536
Crestview Phone: 850.682.2835

www.firstpresbyterian-crestview.org

Easter Isn't Over

During your preparations for Easter, you may have heard someone say, "All this work and it'll all be over so soon." Sorry, but they're wrong.

Easter as a celebration of the return of spring, the Easter of the Easter Bunny and colored eggs and candy, fancy hats and new spring clothes may be over by Easter Monday, not to come around again

until next year. But the true Easter, the celebration of Christ's resurrection, is never over. Easter is the reminder and the celebration of a continuing fact: Christ, who was raised from death, is alive today, tomorrow and forever. Daily he offers us and the whole world power to begin new life now.

Easter isn't over ... ever!

